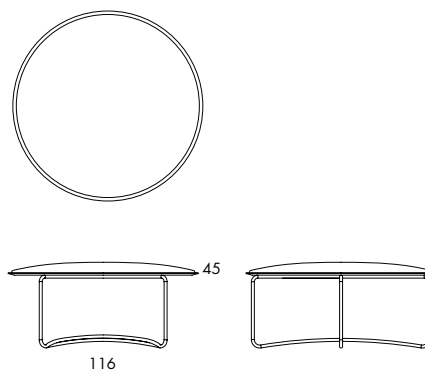


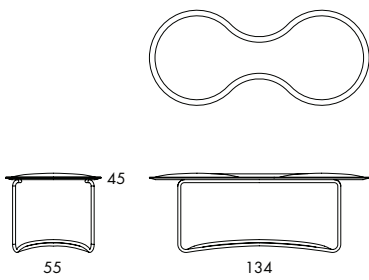
**O80** 11 kg | 0.18 m<sup>3</sup>/pc



**O82** 16 kg | 0.21 m<sup>3</sup>/pc

**FOLDING BENCH.** Plywood frame. Padding of CMHR polyurethane foam. Upholstered in fabric or leather. Leather as per colour chart. 6a. Chrome-plated steel frame (chrome III). Plastic feet.

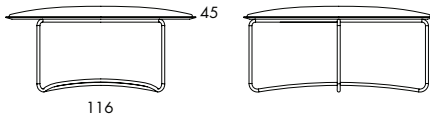
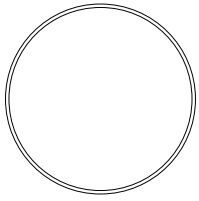




**O80** 11 kg | 0.18 m<sup>3</sup>/pc

	<b>O80</b>
Seat height	45
Overall height	45
Overall width	134
Overall depth	55
Folded	128x84x8
Weight, kg	11
Cbm	0.18





**082** 16 kg | 0.21 m<sup>3</sup>/pc

	<b>082</b>
Seat height	45
Seat	Ø116
Folded	125x125x8
Weight, kg	16
Cbm	0.21

